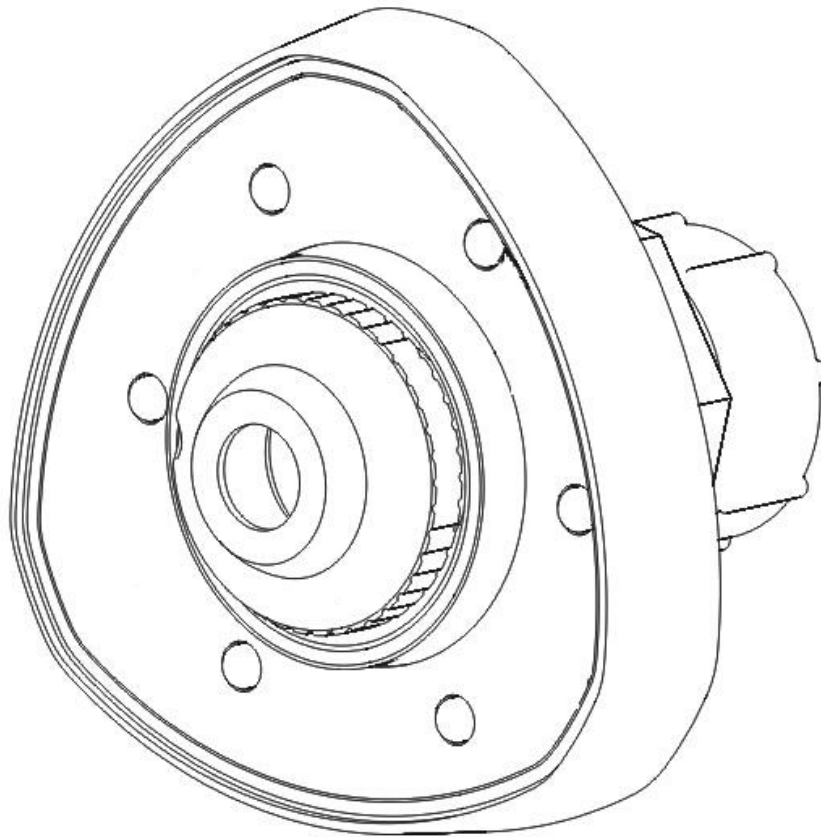


JET LIGHT COLOR BURST

Sixteen vibrant colors, four exciting light shows, one incredible pool light.



- Mounts easily into your return fitting
- Does not restrict water flow
- Six super bright RGB LED
- Two remote controls included

IMPORTANT SAFETY INSTRUCTIONS
READ AND FOLLOW ALL INSTRUCTIONS

SAVE THESE INSTRUCTIONS

Table of Contents

SECTION □.	IMPORTANT SAFETY INSTRUCTIONS	2
SECTION □.	INSTALLATION.....	3
SECTION □.	REPLACING	5
SECTION □.	STORAGE AND WINTERIZING INSTRUCTIONS	5
SECTION □.	TECHNICAL DATA.....	6

 WARNING

Before installing this product, read and follow all warning notices and instructions accompanying this light. Failure to follow safety warnings and instructions can result in severe injury, death, or property damage.



Important Notice

Attention Installer.
This manual contains important information about the installation, operation and safe use of this product. This information should be given to the owner/operator of this equipment.

SECTION I. IMPORTANT SAFETY INSTRUCTIONS

When installing and using this electrical equipment, basic safety precautions should always be followed, including the following.

- 1、 This light can be installed on storable above ground or permanent above ground pools.
- 2、 A storable pool has a maximum water depth of 42 inches and is so constructed that it may be readily disassembled for storage and re-assembled to its original integrity.
- 3、 A permanent pool has a maximum water depth of over 42 inches. Do not install on therapeutic pools, hydro-massage bathtubs, spas or hot tubs.
- 4、 To reduce the risk of electric shock, if any cord becomes damaged, return the entire transformer assembly for repair or replacement.
- 5、 Risk of entrapment, injury or death. Use plumbing passageways only to return water to pool. Do not use as a suction device.
- 6、 Risk of electrical shock. Connect only to a grounding type circuit protected by a ground fault circuit interrupter (GFCI). Contact a licensed electrician if you cannot verify that the receptacle or circuit is protected by a GFCI. Do not use an extension cord.
- 7、 Locate your pool so that the wall is at least 10 feet from all electrical receptacles and at least 20 feet from all receptacles not protected by a GFCI. It is also very important to locate the pool so that it is not under any electrical wiring that is less than 18 feet vertically above the pool wall and within an area located 10 feet outside the pool walls. The pool must also never be located under any lighting fixture or within five (5) feet measured horizontally from any fixture mounted less than five (5) feet vertically above the pool water level.
- 8、 Risk of injury. Install the top of the lens with a minimum of 8 inches and a maximum of 10 inches below top of pool wall or in manufacturer's pre-punched return fitting hole.

 WARNING	
	Risk of electric shock. Disconnect power before servicing this unit. Failure to disconnect power can result in death or severe personal injury. CONNECT ONLY TO A CIRCUIT PROTECTED BY A GFCI. Failure to do so can result in serious personal injury and /or death.

SECTION II. INSTALLATION

For existing pool

Drain water level to be below the returning fitting

1. Unscrew the light assembly head from the threaded wall flange. See figure 2

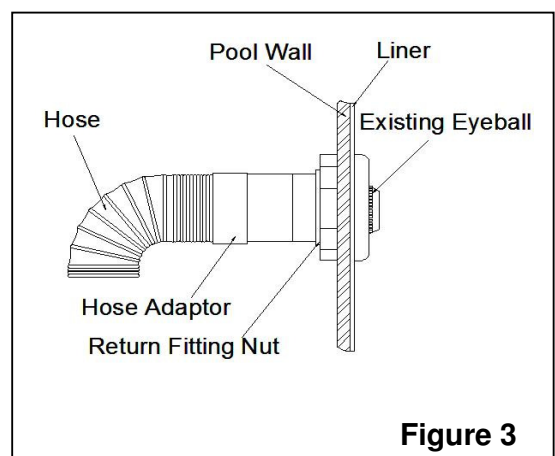
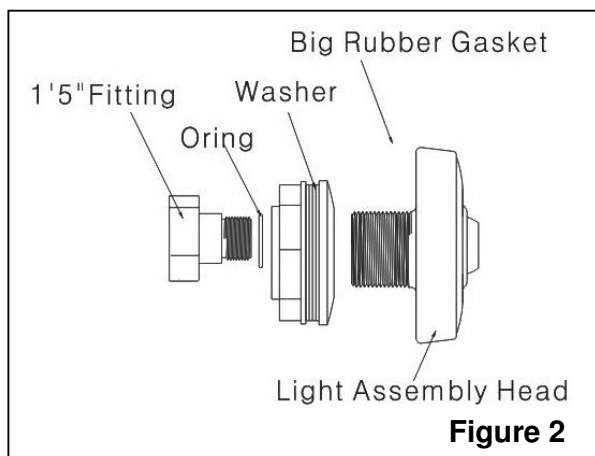
Warning: Please do not open the light assembly head. Open the head will void the warranty.

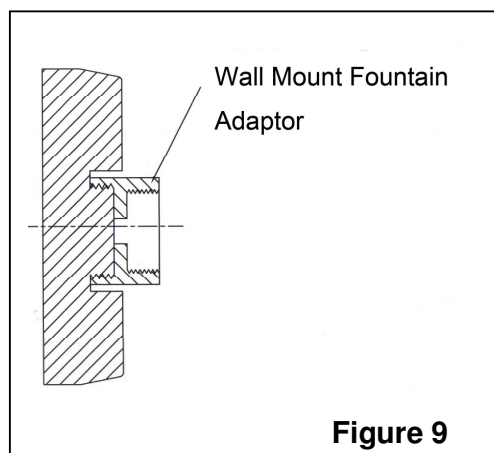
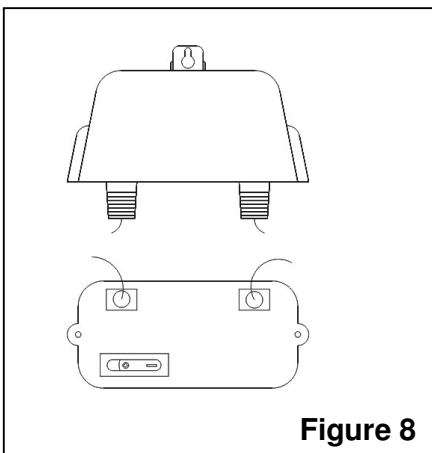
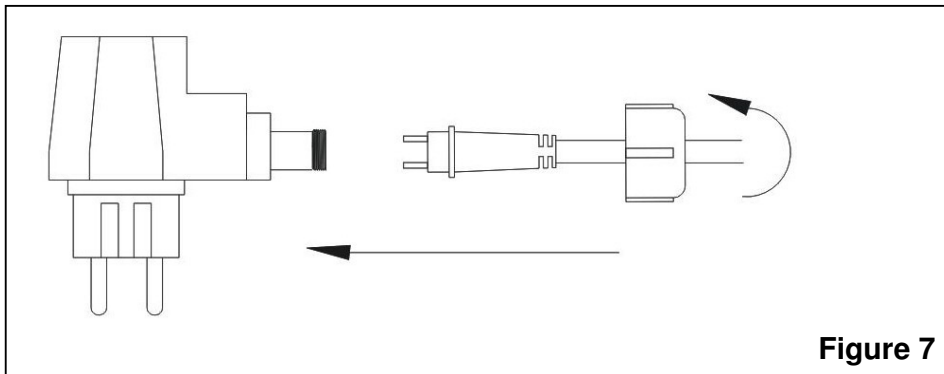
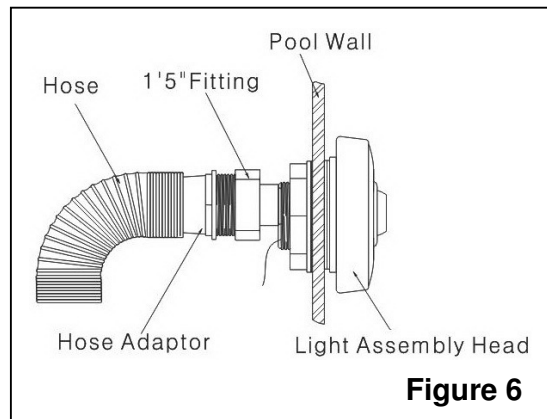
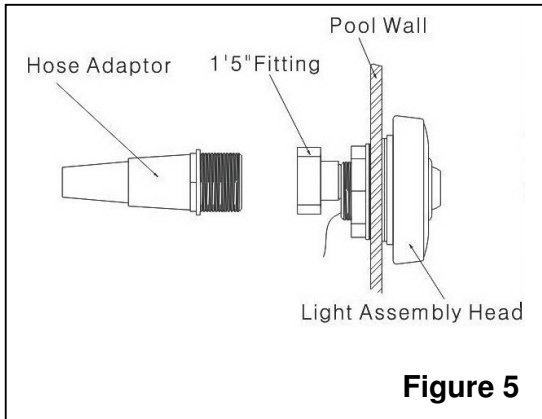
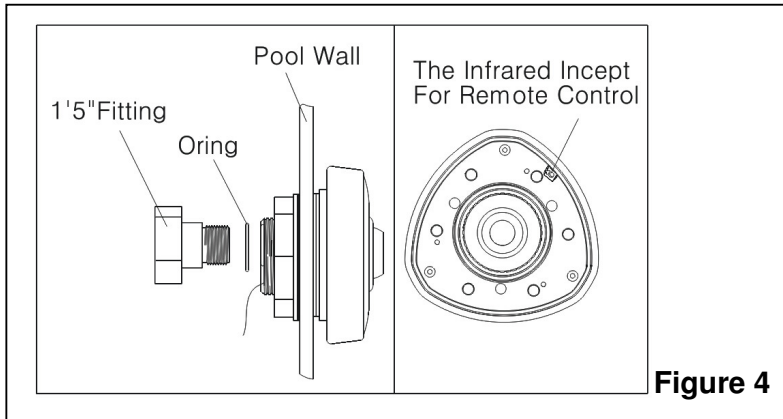
2. Remove the existing eyeball fitting including eyeball, eyeball nut & eyeball base from the return fitting on your pool wall **See Figure 3**

3. Screw the light assembly head in the threaded wall flange. Make sure the big rubber gasket is installed to prevent the damage to the liner. **See Figure 4**

Notice: When screwing the light assembly head, make sure the infrared receiver for the remote control locate as close to top as possible. The closer to the top the receiver is located, the better the remote control operates. See Figure 4

4. Connect 1.5" fitting to the light assembly head **See Figure 4**. Make sure an o-ring is installed and screw it tight enough to prevent any leaking. **See Figure 4**
5. Disconnect the clamp on the hose. Unscrew the hose adaptor from the existing fitting and screw to a 1.5" Fitting. **See Figure 5**
6. Connect the hose to the hose adaptor. **See Figure 6**
7. Connect the quick wire connection **as Figure 7**. Use some lubricant for easier connection.
8. Mount the transformer on the vertical wall. **See Figure 8**
9. Plug the power cord's plug into an appropriate 110V GFCI protected receptacle at least 10 feet from the pool.
10. If the light is not on, press the switch below the transformer case. **See Figure 8**





Note:

For the wall mount fountains, please remove the eyeball and use the fountain adaptor as Figure 8

For new pool

This light could be used as the returning fitting. Install the wall flange, gasket and octagonal nut as usual.

Install the light following above procedure from step 3 to 11.

SECTION III. OPERATION

Notice: Turn on the transformer and the color burst starts with FLASH light show automatically.

Remove the plastic sheet which is used to insulate the battery at the back of the remote control. **See figure 10**

Choose the color you like and push the button. There are 16 colors for choosing and the brightness could be set as you prefer. There are also 4 light shows for parties.

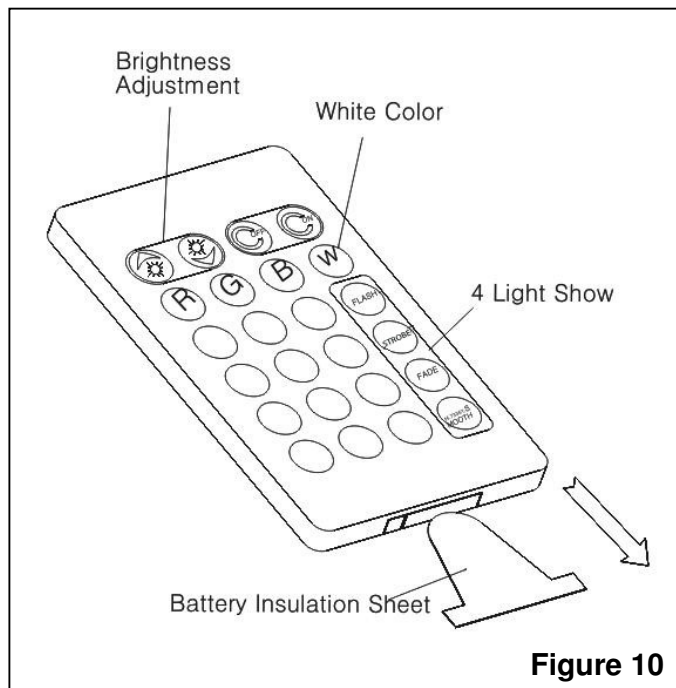
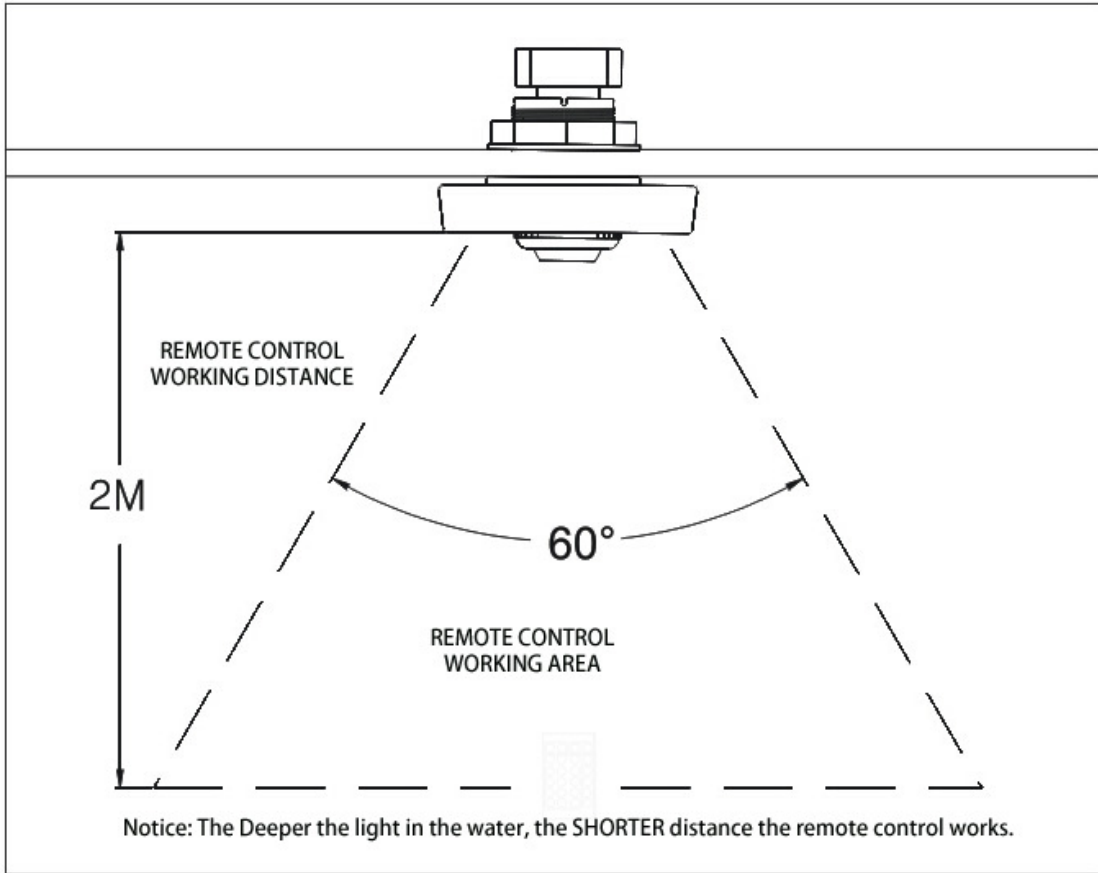
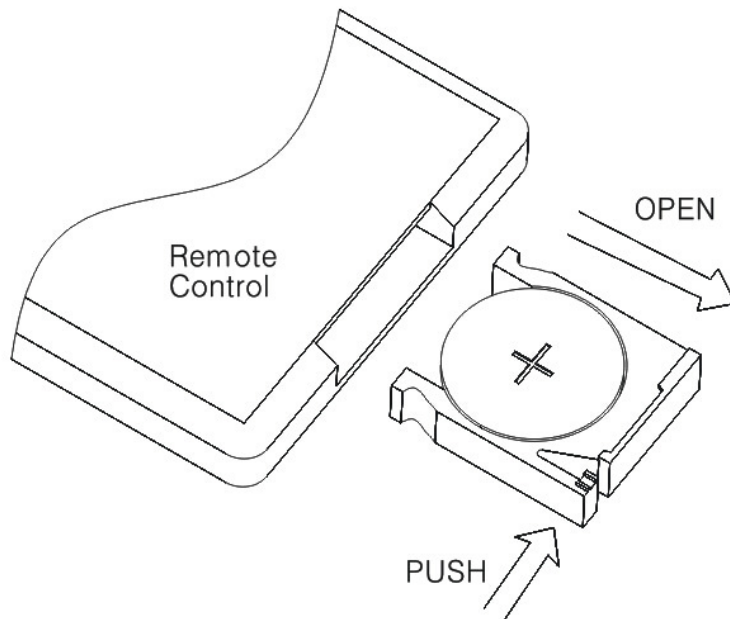


Figure 10

Warning: Remote control has specific working area for light under water. Please always operate the remote control in the area showed below. Outside of this area, the control might not work properly.



When operating within the specific area however the control did not work, please check the battery and replace it if necessary. Refer below drawing for battery replacement.



SECTION IV. REPLACING

When the LED failed

Disconnect the quick connector on the wire and unscrew the light assembly head from the wall flange and install a new one.

Warning: Please do not open the light assembly head. Open the head will void the warranty.

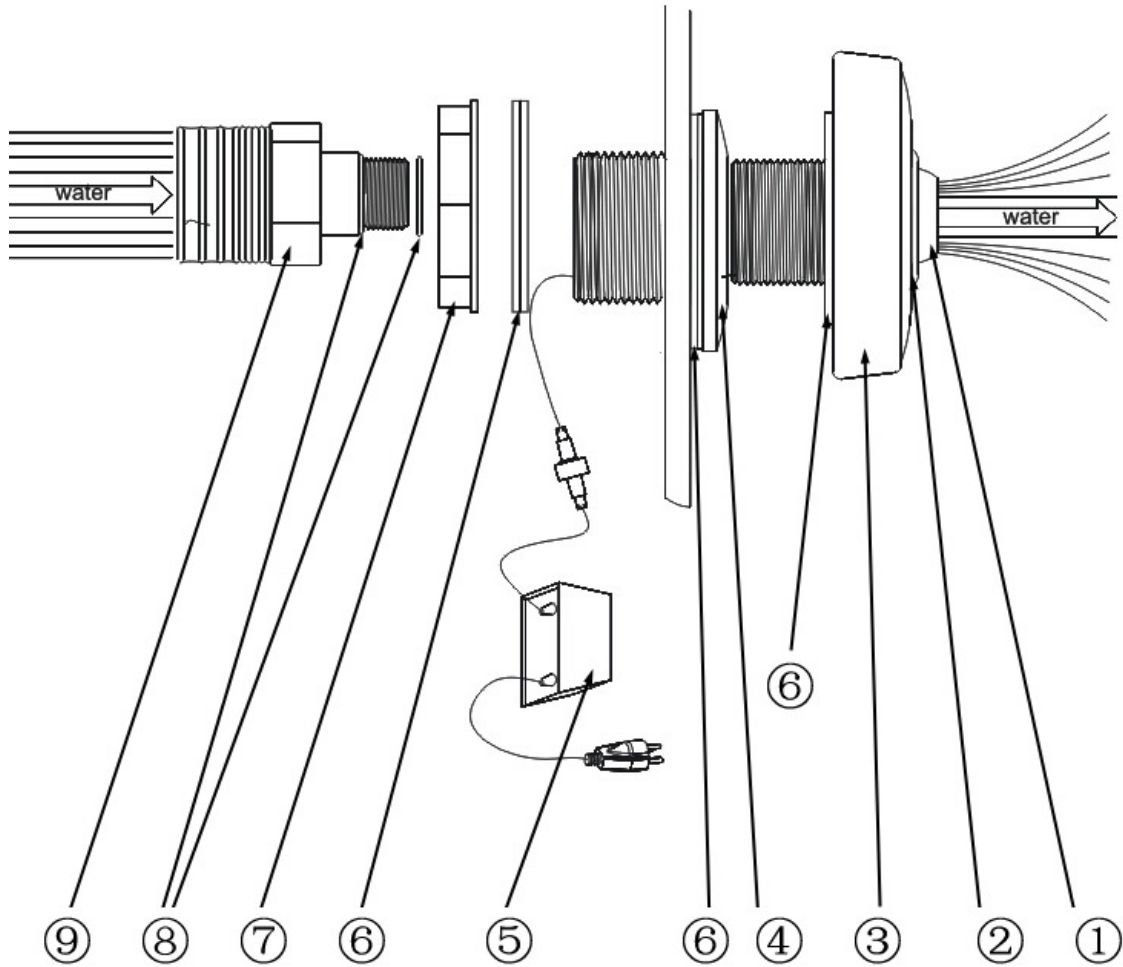
When the transformer failed

Disconnect the quick connector on the wire and install a new transformer.

SECTION V. STORAGE AND WINTERIZING INSTRUCTIONS

1. It is common practice to drain the water level to a point below the skimmer and the light, for winterizing
2. **For storable pools:** remove power from the unit by taking the power cords' three-prong plug and disconnecting it from its electrical outlet.
For permanent pools: turn off all electrical power supplying the light circuit at the main circuit breaker.
3. Disconnect the quick connector on the wire and unscrew the light assembly head from the wall flange and store it for next season.

SECTION VI. TECHNICAL DATA



- Eyeball
- Eyeball Nut
- Light Assembly Head
- Holding bolt
- Transformer
- Washer and Gasket
- Returning Fitting Nut
- O-ring
- 1.5" Fitting